

COMPACT VALVE - 1/2

Series DS2

Cat No DS2 - 02 - 05

MANUALLY OPERATED VALVE - NPT 1/2 (G1/2)

Features

- ❑ Compact size
- ❑ Suitable for panel mounting
- ❑ Mounting provision for individual unit

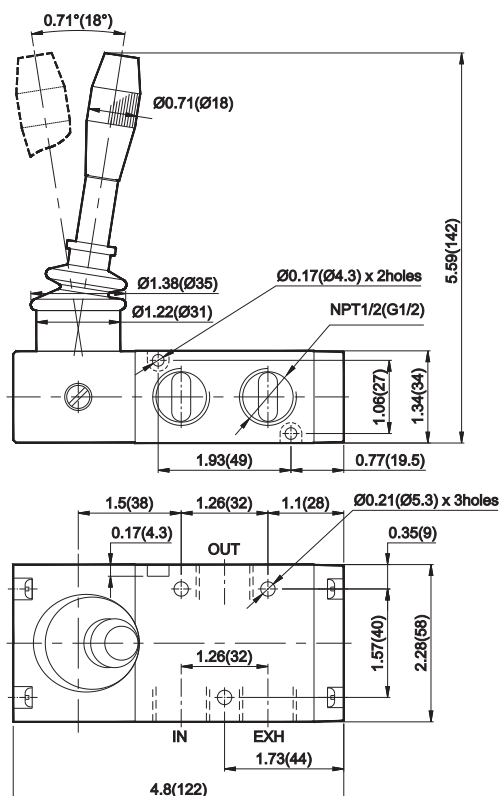


Technical Specifications

Model	DS2
Type	3/2, 5/2, 5/3
Design	Spool type
Port Size	Inlet, Outlet, Exhaust - NPT 1/2 (G1/2)
Medium	Compressed air - Dry, filtered, lubricated
Max. Working Pressure in psi (bar)	145 (10)
Recommended oil for lubrication	ISO VG32 (Servo system 32)
Ambient / Medium temperature	41° - 140° F (5° - 60° C)
Flow rate in scfm (NI/min) @	122.5 (3500)
Materials of construction	Aluminium, Nitrile, Brass, Acetal

@ Supply pressure 87 psi (6 bar), Pressure drop $\Delta p = 14.5$ psi (1bar)

3 / 2 Hand lever operated valve with spring return



1 - Inlet, 2 - Outlet, 3 - Exhaust

Ordering No	NPT	DS237HR93	DS247HR93
	G	(DS237HR63)	(DS247HR63)
Type		Normally open	Normally closed
Symbol			

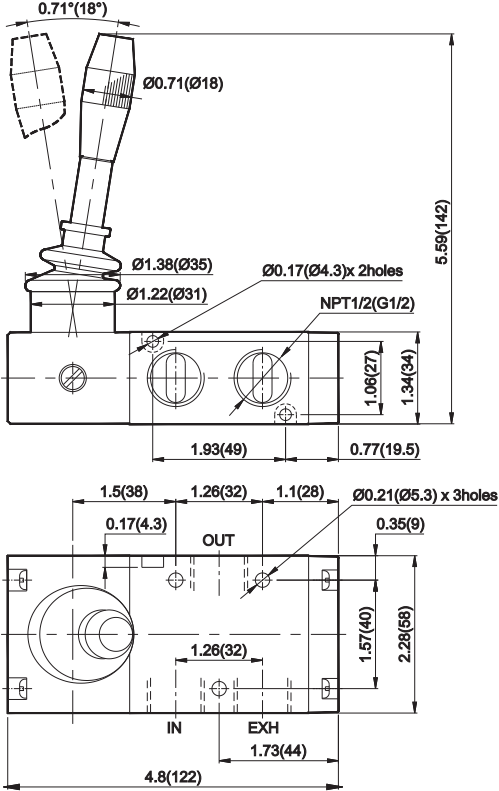
Note: All the dimensions are in Inch (mm)

COMPACT VALVE - 1/2

Series DS2

Cat No DS2 - 02 - 05

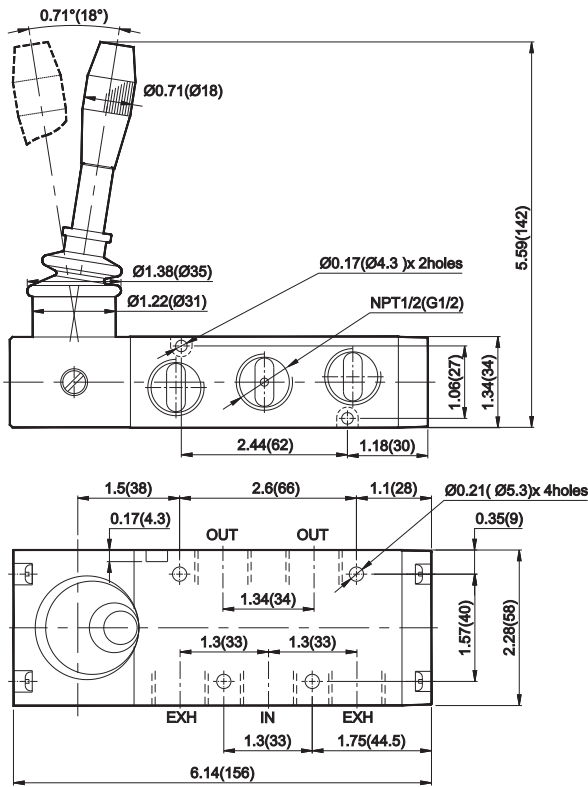
3 / 2 Hand lever operated valve with detent



1 - Inlet, 2 - Outlet, 3 - Exhaust

Ordering No	NPT	DS237HD93	DS247HD93
	G	(DS237HD63)	(DS247HD63)
Type		Normally open	Normally closed
Symbol			

5 / 2 Hand lever operated valve with spring return



1 - Inlet, 2,4 - Outlet, 3,5 - Exhaust

Ordering No	NPT	DS257HR93
	G	(DS257HR63)
Symbol		

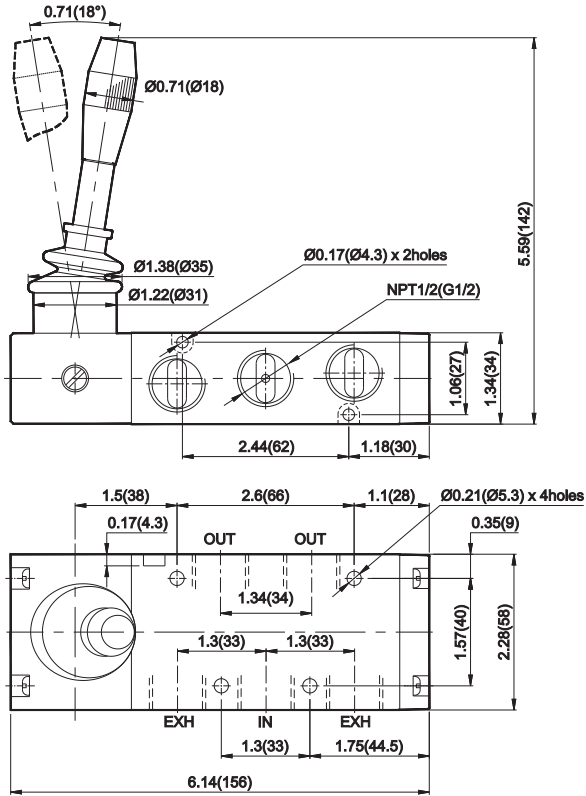
Note: All the dimensions are in Inch (mm)

COMPACT VALVE - 1/2

Series DS2

Cat No DS2 - 02 - 05

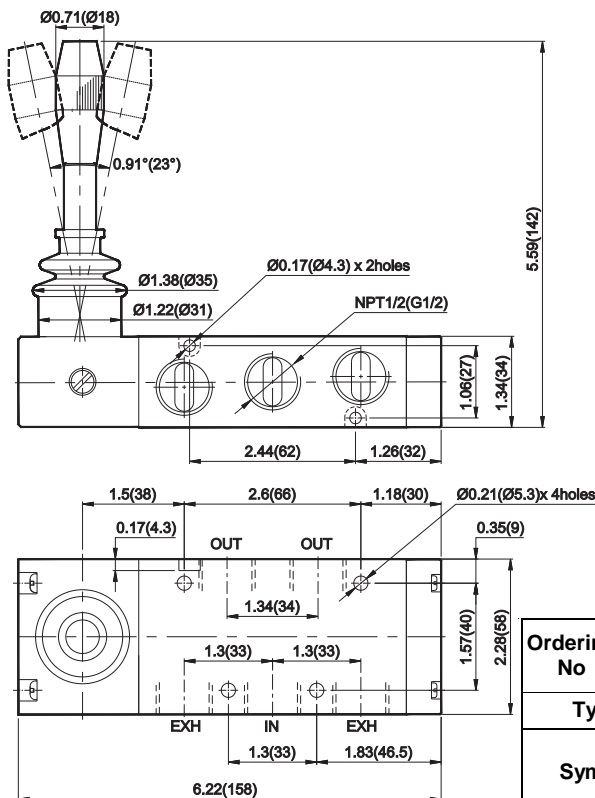
5 / 2 Hand lever operated valve with detent



1 - Inlet, 2,4 - Outlet, 3,5 - Exhaust

Ordering No	NPT	DS257HD93
	G	(DS257HD63)
Symbol		

5 / 3 Hand lever operated valve with detent



1 - Inlet, 2,4 - Outlet, 3,5 - Exhaust,

Ordering No	NPT	DS267HD93	DS277HD93	DS287HD93
	G	(DS267HD63)	(DS277HD63)	(DS287HD63)
Type	Blocked		Exhausted	Energised
Symbol				

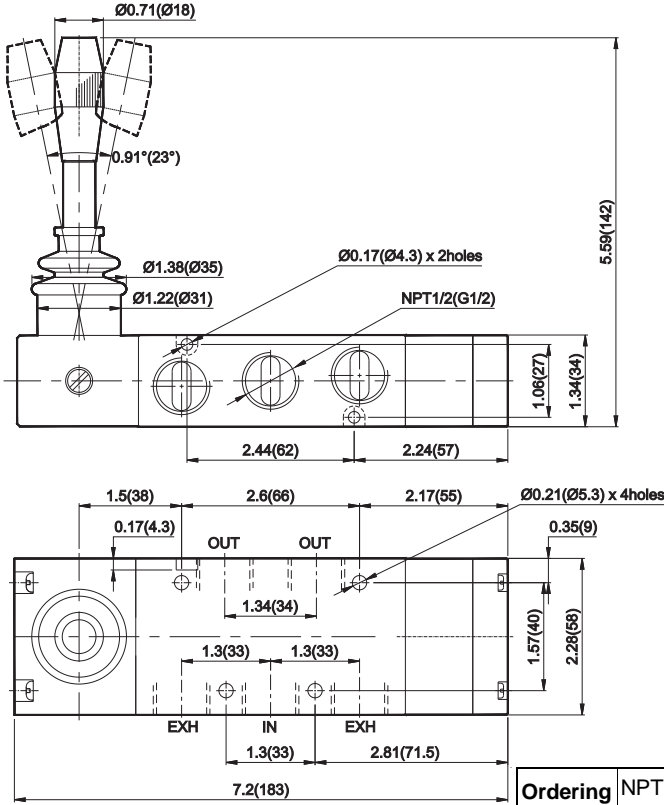
Note: All the dimensions are in Inch (mm)

COMPACT VALVE - 1/2

Series DS2

Cat No DS2 - 02 - 05

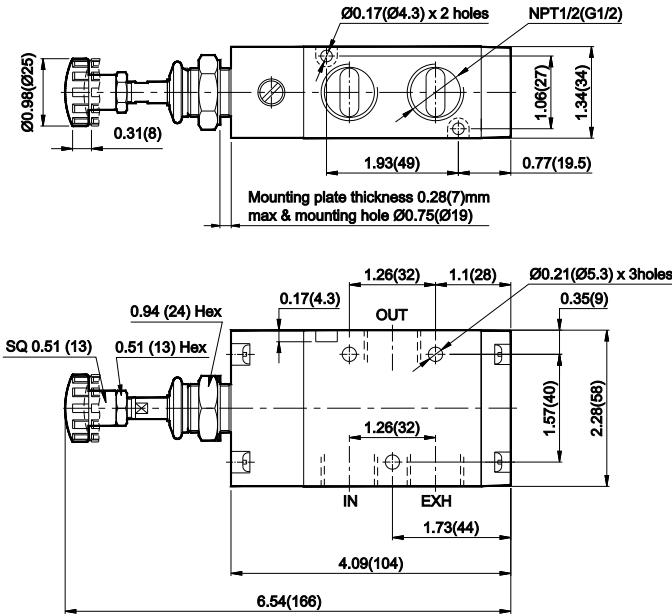
5 / 3 Hand lever operated valve with spring centered



1 - Inlet, 2,4 - Outlet, 3,5 - Exhaust

Ordering No	NPT	DS267HC93	DS277HC93	DS287HC93
	G	(DS267HC63)	(DS277HC63)	(DS287HC63)
Type		Blocked	Exhausted	Energised
Symbol				

3 / 2 Push Pull operated valve with spring return



1 - Inlet, 2 - Outlet, 3 - Exhaust

Ordering No	NPT	DS237PR93	DS247PR93
	G	(DS237PR63)	(DS247PR63)
Type		Normally open	Normally closed
Symbol			

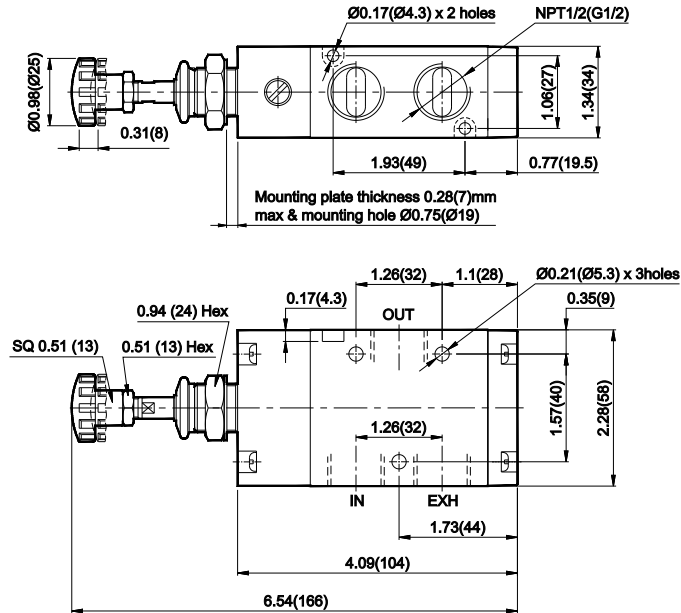
Note: All the dimensions are in Inch (mm)

COMPACT VALVE - 1/2

Series DS2

Cat No DS2 - 02 - 05

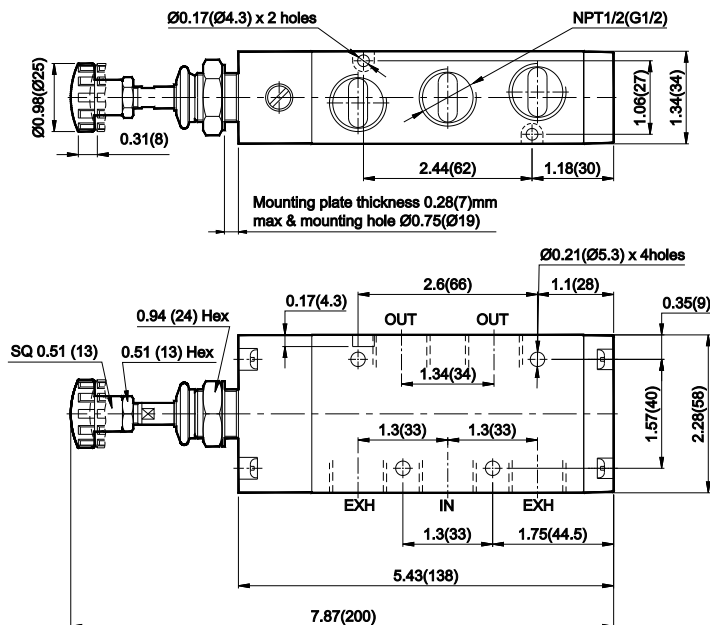
3 / 2 Push Pull operated valve with detent



1 - Inlet, 2 - Outlet, 3 - Exhaust

Ordering No	NPT	DS237PD93	DS247PD93
	G	(DS237PD63)	(DS247PD63)
Type		Normally open	Normally closed
Symbol			

5 / 2 Push Pull operated valve with spring return



1 - Inlet, 2,4 - Outlet, 3,5 - Exhaust

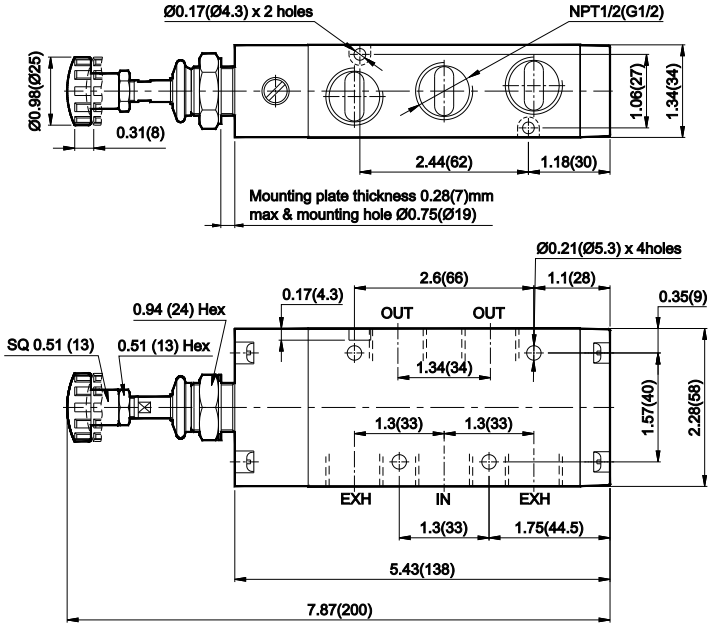
Ordering No	NPT	DS257PR93
	G	(DS257PR63)
Symbol		

COMPACT VALVE - 1/2

Series DS2

Cat No DS2 - 02 - 05

5 / 2 Push Pull operated valve with detent



1 - Inlet, 2,4 - Outlet, 3,5 - Exhaust

Ordering No	NPT	DS257PD93
	G	(DS257PD63)
Symbol		

How to Order

While ordering valve, mention the ordering number given in the corresponding tables.